



indof

ALL PURPOSE CHAIN ELECTRIC HOIST



- ▶ Manufactured in ISO 9001:2008 certified company
Assured quality and interchangeability of parts
- ▶ Rugged European design
Assured reliability
- ▶ Overload slipping clutch
Safety assured
- ▶ Compact aluminium alloy cast body
Light weight precision engineered
- ▶ Anti corrosive powder coated finish
Better aesthetics
- ▶ Imported grade 80 surface hardened load chain for strength & wear resistance
Longer chain life
- ▶ Built in electrical control panel
Ready to use
- ▶ Ergonomically designed pendant control
Easy of usage
- ▶ Swiveling bottom block
Free rotation handling of loads
- ▶ Precision machine cut case hardened alloy steel gears and load chain wheel
Long life, noiseless operation

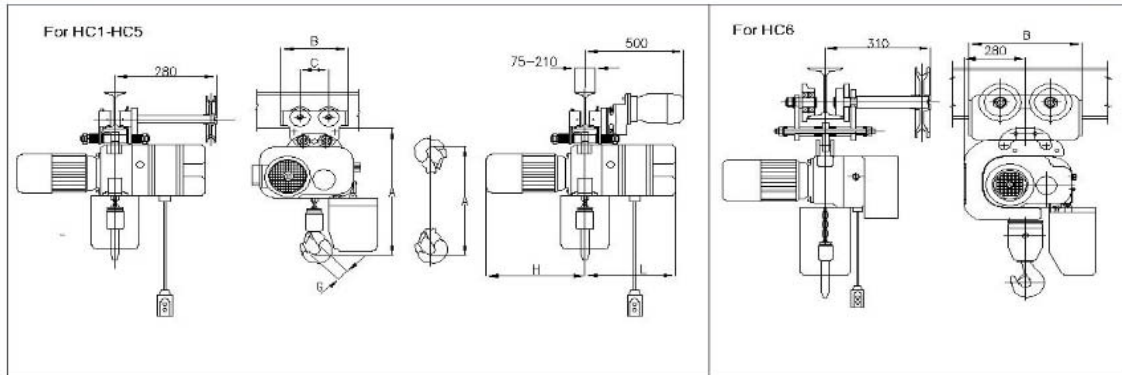


Add on features:

- Remote control, VVVF drive, special lower blocks, PLC.
- Multiple hoist tandem automated operation.

ALSO AVAILABLE
Flame Proof
&
other application
Hoists

ALL PURPOSE CHAIN ELECTRIC HOIST



Specification/Dimensions (mm)

Model	Chain size Diameter in mm	FEM duty	ISO duty	Capacity in kg.	Lifting speed mpm		No. of falls	Motor kw main/creep	Motor RPM	'A' Headroom			B	C	G	H	L	Wt (kg) Hook susp 3m lift	Wt (kg) w/ft ET 3m lift
					Single	Dual				HOOK SUSP	PT	GT/ET							
HC1 012NH	4	1Am	M4	125	8		ONE	0.25	1500	360	400	420	238	128	31.5	250	230	30	65
HC1 012DH					8/2.6	ONE	0.25/0.08	1500/410	360	400	420								
HC1 025NL		4		ONE	0.25	1500	360	400	420										
HC1 025DL		4/1.3	ONE	0.25/0.08	1500/410	360	400	420											
HC2 025NH	8	1Am	M4	250	8		ONE	0.55	1500	440	480	460	238	128	31.5	350	280	40	75
HC2 025DH					8/2.6	ONE	0.55/0.18	1500/410	440	480	460								
HC2 050NL		4		ONE	0.55	1500	440	480	460										
HC2 050DL		4/1.3	ONE	0.55/0.18	1500/410	440	480	460											
HC3 050NH	7	1Am	M4	500	8		ONE	0.9	1500	440	480	460	238	128	31.5	390	290	55	90
HC3 050DH					8/2.6	ONE	0.85/0.3	1500/480	550	580	560								
HC3 100NL		4		ONE	0.9	1500	550	580	560										
HC3 100DL		4/1.3	ONE	0.85/0.3	1500/480	550	580	560											
HC4 100NH	10	1Am	M4	1000	8		ONE	1.84	1500	600	625	625	350	157	37.5	445	380	90	125
HC4 100DH					8/2.6	ONE	1.70/0.6	1500/460	600	625	625								
HC4 200NL		4		ONE	1.84	1500	600	625	625										
HC4 200DL		4/1.3	ONE	1.70/0.6	1500/460	600	625	625											
HC4 250NL	10	1Am	M4	2000	4		ONE	2.2	1500	600	625	625	350	157	37.5	445	380	90	150
HC4 250DL					4/1.3	ONE	2.5/0.8	1500/490	600	625	625								
HC5 300NL		4		TWO	3.5	1500	950	870	870										
HC5 300DL		4/1.3	TWO	3.5/1.2	1500/480	950	870	870											
HC6 500NL	1Am	M4	5000	4		TWO	4.5	1500	1000	NA	1000	490	220	53	300	400	135	200	
HC6 500DL				4/1.3	TWO	4.5/1.5	1500/480	1000	NA	1000									

Data tolerance ± 10%

NOTE :

- * Key abbreviations used in models are :
 - H- High Hoisting speed (8 & above) N- Single speed (Normal speed)
 - L- Low Hoisting speed (4 & below) D- Dual speed
- * All Dimensions in mm. Data is subjected to change without prior notice.
- * Standard chain collector upto 9.0m lift only.



Manufactured & Marketed by :
HERCULES HOISTS LTD.
 CTS No. 43/5, Village Dhamni, Taluka Khalapur,
 Khopoli, Dist. Raigad, Maharashtra-410 202, India
 Tel. : + 91 (0) 2192-274036/274087/274135
 Fax : + 91 (0) 2192-274325
 E-mail : enquire@indef.com
 Website : http://www.indef.com

Dealers name & address

bajaj group